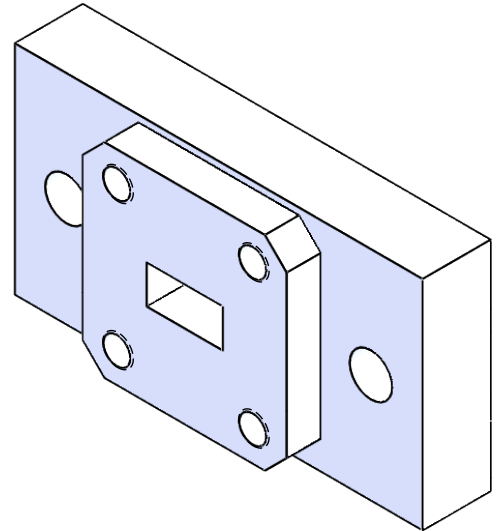
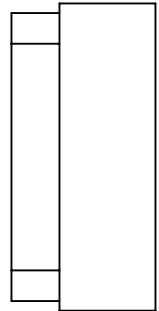
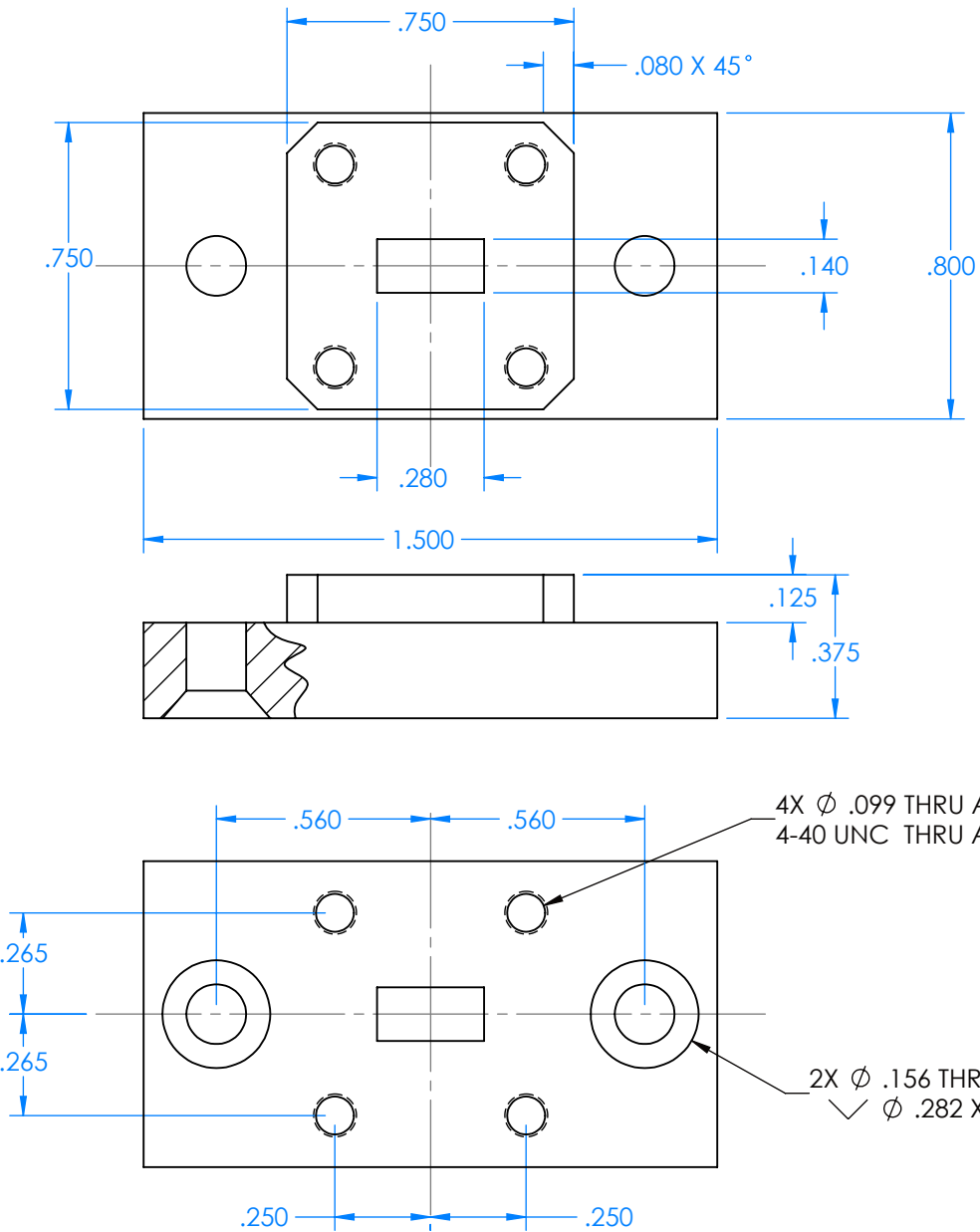


REVISIONS			
REV	DESCRIPTION	DATE	APPROVED
A	.040 WAS .045	3-3-17	LS



DECIMALS: XXXX ±.0005 XXX ±.005 XX ±.01	NAME	DATE
ANGLES: ± .5 DEGREE	DRAWN JV	3-15-17
THIRD ANGLE PROJECTION	CHECKED MS	3-15-17
	ENG LS	3-15-17
	MATL:	
	6061 T6 ALUMINUM	

TITLE: Mi-Wave Millimeter Products Inc.		REV
SIZE A	DWG. NO. 714_BULKHEAD FLANGE_599 WR-28_ADAPTER_23527	A
SCALE: 2:1	WEIGHT:	SHEET 1 OF 1